

# Manual Switches

## Environment-Sealed Rocker Switches



### FEATURES

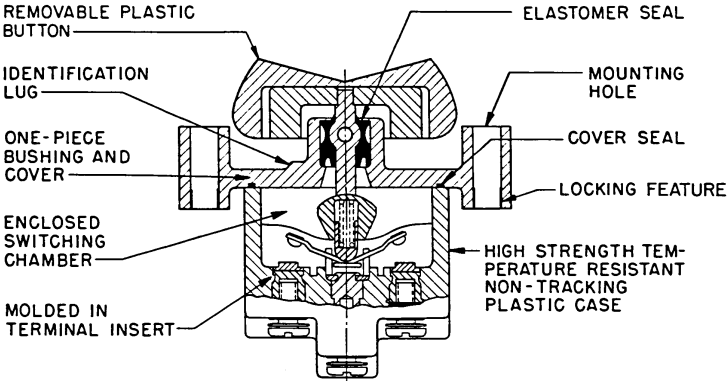
- 2 and 3 position pushbutton action
- Various button colors
- 1, 2, and 4 pole circuitry
- Flush panel and above panel mounting
- Temperature range is from -65°F to +160°F (-54°C to +71°C)
- UL recognized, CSA certified

### CONSTRUCTION

Above panel mounting gives a distinct button appearance. Flush panel mounting presents a low button profile.

### TERMINAL CIRCUIT IDENTIFICATION

Terminal identifications are referred to in the order guides to indicate which circuits are made in each toggle position (i.e., 1-2 indicates circuit closure through terminals 1 and 2).

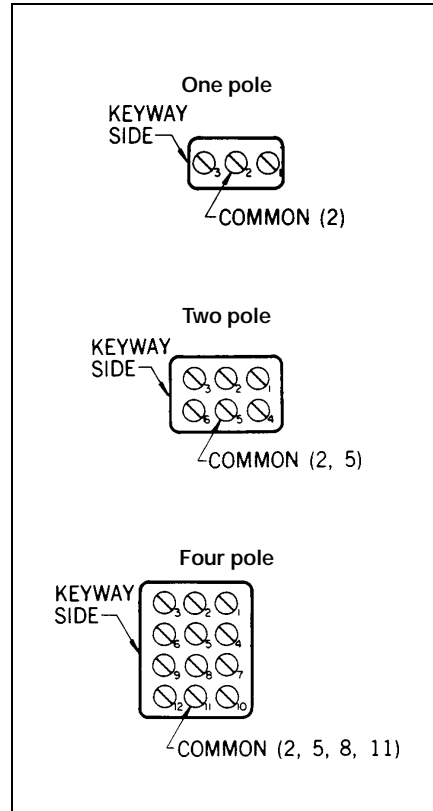


### ELECTRICAL RATINGS (In amperes)

Elec. Rating Code	28 Volts DC			115 VDC	250 VDC	115 Volts AC 60 & 400 HZ			230 VAC
	Ind.	Res.	Lamp	Res.	Res.	Ind.	Res.	Lamp	Res.
1	15	20	5	0.75	0.5	10	15	3	6
2	10	15	4	0.75	0.5	7	15	2	6
3	15	20	7	0.75	0.5	15	15	4	6
4	10	18	5	0.75	0.5	8	11	2	6
5	12	20	5	0.75	0.5	15	15	4	6
6	10	18	4	0.75	0.5	8	11	2	6

UL/CSA Rating Code	Electrical Rating
L192	10 amps-125, 250, 277 VAC; 1/4 Hp-125 VAC; 1/2 Hp-250, 277 VAC 3 Amps-125 VAC "L"
L191	15 amps-125, 250, 277 VAC; 1/2 Hp-125 VAC; 1Hp-250, 277 VAC 5 amps-125 VAC "L"

**Application Note:** Honeywell MICRO SWITCH does *not* recommend the use of silver cadmium oxide switch contacts in non-arcing loads. Non-arcing loads are generally loads less than 12 volts and/or 0.5 amp. TP switches use silver cadmium oxide contacts. If you have specific questions, contact the MICRO SWITCH Application Center at 1-800-537-6945.



# Manual Switches

## Environment-Sealed Rocker Switches



Typical two-pole flush panel translucent button switch



Typical one-pole above panel transparent button switch

### BUTTON OPTIONS

Buttons are removable and interchangeable. They measure .87" x 1.46" (22,1 x 37,1 mm).

**Transparent** (colorless plastic) buttons accept under-the-surface legend inserts for station and function identification. **Legend inserts are not furnished.** Insert legending can be done by your local supplier.

**Translucent** (white plastic) buttons have a clear appearance.

**Colored** (opaque plastic) buttons are excellent for color coding switch functions.

### LEGENGING

MICRO SWITCH provides hot stamp legending on the button face. Use TP Legend Order Sheet FO-53730 (page 49) to specify your needs. Additional copies are available from your nearest MICRO SWITCH Sales Office. (MICRO SWITCH does not provide legending service on legend inserts.)

Translucent and opaque buttons may also be engraved and filled by the user.

### SWITCHES WITHOUT BUTTONS

To order switches without buttons, convert catalog listings shown in the order guides. Substitute **TP7** for TP4 and TP16 above panel mounted switches; substitute **TP8** for TP201 and TP12 flush panel mounted switches. Order buttons separately from the chart below.

### BUTTON ORDER GUIDE

Color	Catalog Listing
Translucent	12PA6
Transparent	12PA4
White*	12PA5-W
Yellow*	12PA5-Y
Black*	12PA5-BK
Green*	12PA5-G
Red*	12PA5-R
Blue*	12PA5-BL

\* Opaque

### TP 2-POSITION ORDER GUIDE

Furnished with buttons.

No. of Poles	Circuits Made With Button At:		UL/CSA Rating Code	Elec. Rating Code	Catalog Listings			
	Ident. Lug Position	Opposite Ident. Lug			Flush Panel		Above Panel	
					Translucent Button	Transparent Button	Translucent Button	Transparent Button
1	OFF	2-3	L191	1	1TP201-2	1TP12-2	1TP216-2	1TP4-2
	OFF*	2-3	L192	2	1TP201-4	1TP12-4	1TP216-4	1TP4-4
	1-2*	OFF	L192	2	1TP201-6	1TP12-6	1TP216-6	1TP4-6
	1-2	2-3	L191	1	1TP201-3	1TP12-3	1TP216-3	1TP4-3
	1-2*	2-3	L192	2	1TP201-8	1TP12-8	1TP216-8	1TP4-8
2	OFF	2-3, 5-6	L191	3	2TP201-2	2TP12-2	2TP216-2	2TP4-2
	OFF*	2-3, 5-6	L192	4	2TP201-4	2TP12-4	2TP216-4	2TP4-4
	1-2,4-5*	OFF	L192	4	2TP201-6	2TP12-6	2TP216-6	2TP4-6
	1-2,4-5	2-3, 5-6	L191	3	2TP201-3	2TP12-3	2TP216-3	2TP4-3
	1-2,4-5*	2-3, 5-6	L192	4	2TP201-8	2TP12-8	2TP216-8	2TP4-8
4	OFF	2-3, 5-6, 8-9, 11-12	L191	5	4TP201-2	4TP12-2	—	4TP4-2
	OFF*	2-3, 5-6, 8-9, 11-12	L192	6	4TP201-4	4TP12-4	4TP216-4	4TP4-4
	1-2, 4-5, 7-8, 10-11*	OFF	L192	6	4TP201-6	4TP12-6	—	—
	1-2, 4-5, 7-8, 10-11	2-3, 5-6, 8-9, 11-12	L191	5	4TP201-3	4TP12-3	4TP216-3	4TP4-3
	1-2, 4-5, 7-8, 10-11*	2-3, 5-6, 8-9, 11-12	L192	6	4TP201-8	4TP12-8	4TP216-8	—

\* These positions only are momentary. All others are maintained.

# Manual Switches

## Environment-Sealed Rocker Switches

TP Series

Courtesy of Steven Engineering, Inc. • 230 Ryan Way, South San Francisco, CA 94080-6370 • Main Office: (650) 588-9200 • Outside Local Area: (800) 258-9200 • www.stevenengineering.com

TP 3-POSITION ORDER GUIDE Furnished with buttons.

No. of Poles	Circuits Made With Button At:			UL/CSA Rating Code	Elec. Rating Code	Catalog Listings			
	Ident. Lug Position	Center Position	Opposite Lug Position			Flush Panel		Above Panel	
						Translucent Button	Transparent Button	Translucent Button	Transparent Button
1	1-2	OFF	2-3	L191	1	1TP201-1	1TP12-1	1TP216-1	1TP4-1
	1-2*	OFF	2-3	L192	2	1TP201-5	1TP12-5	1TP216-5	1TP4-5
	1-2*	OFF	2-3*	L192	2	1TP201-7	1TP12-7	1TP216-7	1TP4-7
	NONE**	OFF	2-3*	L191	1	1TP201-21	1TP12-21	—	1TP4-21
	NONE**	1-2	2-3	L191	1	1TP201-31	1TP12-31	—	1TP4-31
	NONE**	1-2	2-3*	L192	2	1TP201-51	1TP12-51	1TP216-51	1TP4-51
	1-2*	OFF	NONE**	L192	2	1TP201-61	1TP12-61	1TP216-61	1TP4-61
2	1-2, 4-5	OFF	2-3, 5-6	L191	3	2TP201-1	2TP12-1	2TP216-1	2TP4-1
	1-2, 4-5*	OFF	2-3, 5-6	L192	4	2TP201-5	2TP12-5	2TP216-5	2TP4-5
	1-2, 4-5*	OFF	2-3, 5-6*	L192	4	2TP201-7	2TP12-7	2TP216-7	2TP4-7
	NONE**	OFF	2-3, 5-6	L191	3	2TP201-21	2TP12-21	2TP216-21	2TP4-21
	NONE**	1-2, 4-5	2-3, 5-6	L191	3	2TP201-31	2TP12-31	2TP216-31	2TP4-31
	NONE**	1-2, 4-5	2-3, 5-6*	L192	4	2TP201-512	2TP12-512	2TP216-512	2TP4-512
	1-2, 4-5*	OFF	NONE**	L192	4	2TP201-61	2TP12-61	2TP216-61	2TP4-61
	1-2, 4-5	1-2, 5-6	2-3, 5-6	L191	3	2TP201-10†	2TP12-10†	2TP216-10†	2TP4-10†
	1-2, 4-5*	1-2, 5-6	2-3, 5-6	L192	4	2TP201-50†	2TP12-50†	2TP216-50†	2TP4-50†
	1-2, 4-5*	1-2, 5-6	2-3, 5-6*	L192	4	2TP201-70†	2TP12-70†	2TP216-70†	2TP4-70†
4	1-2, 4-5, 7-8, 10-11	OFF	2-3, 5-6	L191	5	4TP201-1	4TP12-1	4TP216-1	4TP4-1
	1-2, 4-5	OFF	8-9, 11-12	L192	6	4TP201-5	4TP12-5	—	4TP4-5
	7-8, 10-11*	OFF	2-3, 5-6	L192	6	4TP201-7	4TP12-7	4TP216-7	4TP4-7
	1-2, 4-5, 7-8, 10-11*	OFF	8-9, 11-12*	L191	5	4TP201-21	4TP12-21	4TP216-21	4TP4-21
	NONE**	1-2, 4-5	2-3, 5-6, 8-9, 11-12	L191	5	4TP201-31	—	4TP216-31	4TP4-31
	NONE**	7-8, 10-11	8-9, 11-12	L192	6	4TP201-51	—	4TP216-51	4TP4-51
	1-2, 4-5, 7-8, 10-11*	7-8, 10-11	2-3, 5-6	L192	6	4TP201-61	4TP12-61	4TP216-61	4TP4-61
	1-2, 4-5, 7-8, 10-11	2-3, 4-5	2-3, 5-6, 8-9, 11-12	L191	5	4TP201-10†	4TP12-10†	—	4TP4-10†
	1-2, 4-5, 7-8, 10-11*	2-3, 4-5	2-3, 5-6, 8-9, 11-12	L192	6	4TP201-50†	4TP12-50†	4TP216-50†	4TP4-50†
	1-2, 4-5, 7-8, 10-11*	7-8, 11-12	8-9, 11-12	L192	6	4TP201-70†	4TP12-70†	4TP216-70†	4TP4-70†
	1-2, 4-5, 7-8, 10-11*	2-3, 4-5	2-3, 5-6, 8-9, 11-12*	L192	6	4TP201-70†	4TP12-70†	4TP216-70†	4TP4-70†

\* These positions only are momentary. All others are maintained.

\*\* Operator is blocked from these positions. Switch becomes two position, with center being one extreme position.

† Special on-on-on circuitry. See page 40.



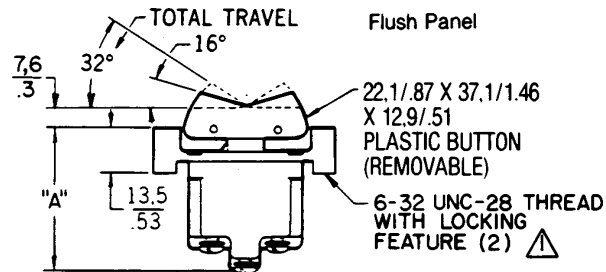
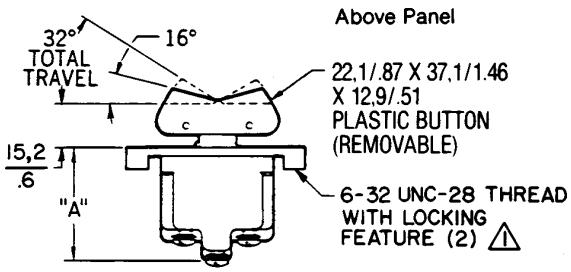
# Manual Switches

## Environment-Sealed Rocker Switches

TP Series

Courtesy of Steven Engineering, Inc. • 230 Ryan Way, South San Francisco, CA 94080-6370 • Main Office: (650) 588-9200 • Outside Local Area: (800) 258-9200 • www.stevenengineering.com

MOUNTING DIMENSIONS (For reference only)

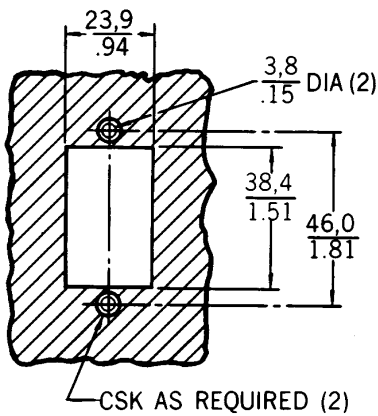


	DIM. "A"
1-POLE	29,5 / 1.16
2 & 4-POLE	34,4 / 1.35

	DIM. "A"
1-POLE	36,8 / 1.45
2 & 4-POLE	41,7 / 1.64

⚠ 4-POLE HAS 6-32 UNC-28 THREAD LOCKNUT

Panel cutout



Key: 0,0 = mm  
0.00 = inches

